

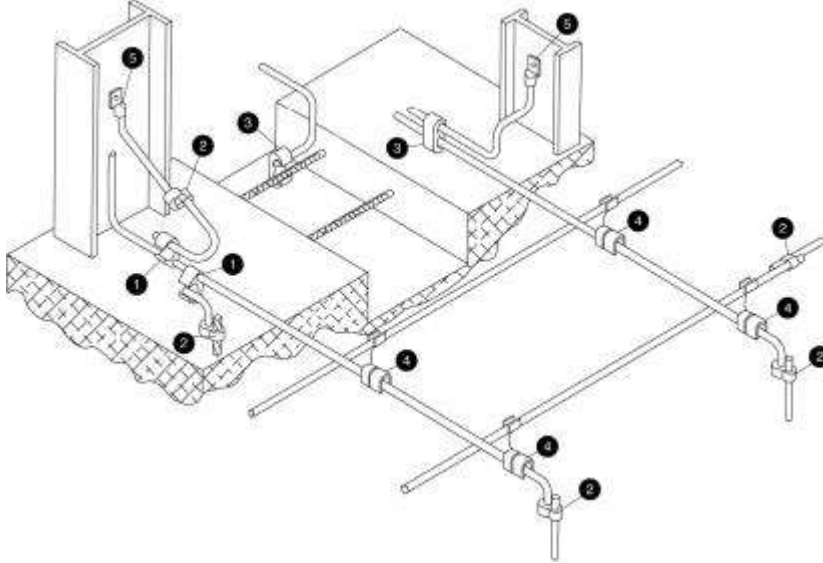
Compression connectors



Compression connectors produce very robust joints which can be buried in the ground or in concrete. They are ideal for use in situations where exothermic welding is not appropriate and periodic disconnection is not required.

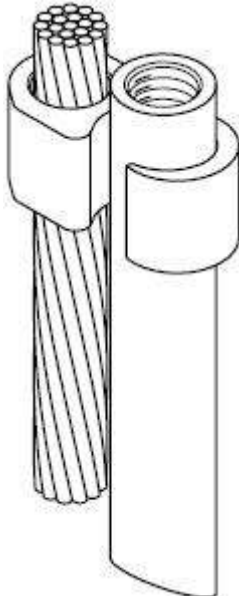
A compression tool is required to make each joint, now available.

Connector selector



- 1 "6" Shape connectors
- 2 "8" Shape connectors
- 3 "C" Shape connectors
- 4 Grid connectors
- 5 Terminals

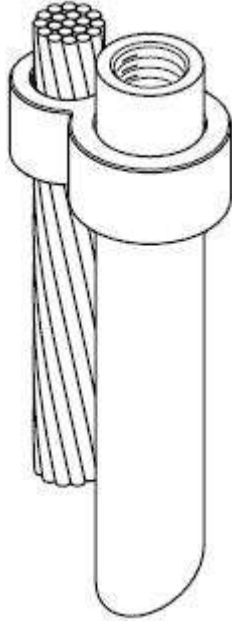
Compression connectors "6" Shape connectors



Conductor	Main Rod	Conductor range	Tool	Die	Part no.
50 - 120mm ²	1/2" - 5/8"	25 - 35mm ²		15G86R	54855
50 - 120mm ²	1/2" - 5/8"	50 - 70mm ²		15G86R	54860
50 - 120mm ²	1/2" - 5/8"	95 - 120mm ²	TBM14M	15G86R	54865-CK
16 - 35mm ²	-	16 - 35mm ²	or	15501A	54875
120 - 240mm ²	5/8" - 3/4"	25 - 35mm ²	TBM15I	15G126R	54890
120 - 240mm ²	5/8" - 3/4"	95 - 120mm ²		15G121R	54895
-	5/8" - 3/4"	185 - 240mm ²		15G121R	54800
120 - 240mm ²	-	185 - 240mm ²		15G121R	54900

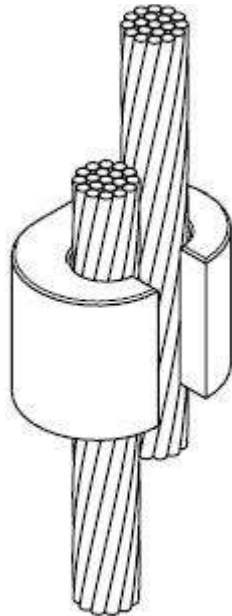
Can also be used to connect cable to steel reinforcing bar.

“8” Shape connectors



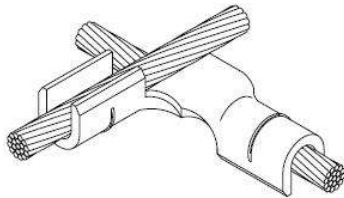
Nominal rod diameter	Conductor range	Tool	Die	Part no.
1"	150 - 240mm ²		15G121R	GR1-300500
3/4"	150 - 240mm ²		15G121R	GR34-300500
5/8"	150 - 240mm ²		15G121R	GR58-300500
1"	70 - 150mm ²		15G121R	GR1-40250
3/4"	70 - 150mm ²	TBM14M	15G121R	GR34-40250
5/8"	70 - 150mm ²	or	15G121R	GR58-40250
1/2"	70 - 150mm ²	TBM15I	15G121R	GR12-40250
1"	35 - 70mm ²		15G121R	GR1-202
3/4"	35 - 70mm ²		15G121R	GR34-202
5/8"	35 - 70mm ²		15G121R	GR58-202
1/2"	35 - 70mm ²		15G121R	GR12-202

“C” Shape connectors



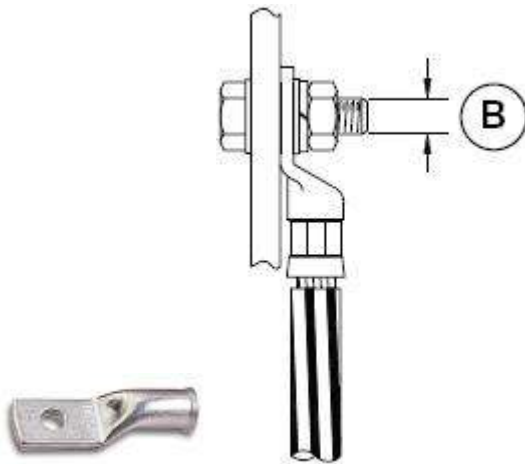
Main conductor	Conductor range	Tool	Die	Die colour code	Part no.
50mm ²	35 - 50mm ²	TBM14M	15512	Blue	54755
70mm ²	25 - 70mm ²	TBM12	TBM12D-4	Blue	54755
70mm ²	16 - 50mm ²	TBM15I	15512	Blue	54755
95mm ²	10 - 35mm ²	TBM14M	15512	Blue	54755
70mm ²	25 - 70mm ²	TBM14M	15506	Brown	54760
95mm ²	25 - 95mm ²	TBM12	TBM12D-3	Brown	54760
120mm ²	10 - 50mm ²	TBM15I	15506	Brown	54760
70mm ²	35 - 70mm ²	TBM14M	15505	Pink	54765
95mm ²	25 - 95mm ²	TBM12	TBM12D-2	Pink	54765
120mm ²	16 - 70mm ²	TBM15I	15505	Pink	54765
120mm ²	10 - 70mm ²	TBM14M	15505	Pink	54765
95mm ²	70 - 95mm ²	TBM14M	15515	Black	54770
120mm ²	35 - 120mm ²	TBM15I	15515	Black	54770
50mm ²	25 - 95mm ²	TBM12	TBM12D-2	Black	54770
185mm ²	16 - 70mm ²	TBM14M	15515	Black	54770
150mm ²	70 - 150mm ²	TBM14M	15504	Yellow	54775
185mm ²	50 - 185mm ²	TBM15I	15504	Yellow	54775
185mm ²	35 - 150mm ²	TBM12	TBM12D-1	Yellow	54775
240mm ²	16 - 120mm ²	TBM15I	15504	Yellow	54775
185mm ²	95 - 185mm ²	TBM15I	15603	White	54780
185mm ²	70 - 185mm ²	TBM15I	15603	White	54780
240mm ²	35 - 240mm ²	TBM15I	15603	White	54780

Grid connectors



Main conductor	Die	Conductor range	Die	Tool	Part no.
35mm ²	45	35mm ²	45		GG21-21
50mm ²	54	50mm ²	54		GG10-10
70mm ²	60	35mm ²	45		GG2030-21
70mm ²	60	50mm ²	54		GG2030-10
70mm ²	60	70mm ²	60		GG2030-2030
95 - 120mm ²	71	35mm ²	45	TBM14M	GG40250-21
95 - 120mm ²	71	50mm ²	54	or	GG40250-10
95 - 120mm ²	71	70mm ²	60	TBM15I	GG40250-2030
95 - 120mm ²	71	95 - 120mm ²	71		GG40250-40250
185mm ²	80H	185mm ²	80H		GG350-350
240mm ²	87	120mm ²	71		GG500-40250
240mm ²	87	240mm ²	87		GG500-500
240mm ²	87H	185mm ²	80H		GG500-350
240mm ²	87H	70mm ²	60		GG500-2030

Terminals



Conductor size	Screw size (B)	Weight each	Part no.
16mm ²	6mm	0.01kg	FCT166
16mm ²	8mm	0.01kg	FCT168
16mm ²	10mm	0.01kg	FCT1610
16mm ²	12mm	0.01kg	FCT1612
25mm ²	6mm	0.01kg	FCT256
25mm ²	8mm	0.01kg	FCT258
25mm ²	10mm	0.01kg	FCT2510
25mm ²	12mm	0.01kg	FCT2512
35mm ²	6mm	0.01kg	FCT356
35mm ²	8mm	0.01kg	FCT358
35mm ²	10mm	0.01kg	FCT3510
35mm ²	12mm	0.01kg	FCT3512
50mm ²	6mm	0.02kg	FCT506
50mm ²	8mm	0.02kg	FCT508
50mm ²	10mm	0.02kg	FCT5010
50mm ²	12mm	0.02kg	FCT5012
70mm ²	8mm	0.04kg	FCT708
70mm ²	10mm	0.04kg	FCT7010
70mm ²	12mm	0.04kg	FCT7012
70mm ²	16mm	0.04kg	FCT7016
95mm ²	8mm	0.06kg	FCT958
95mm ²	10mm	0.06kg	FCT9510
95mm ²	12mm	0.06kg	FCT9512
95mm ²	14mm	0.06kg	FCT9514
95mm ²	16mm	0.06kg	FCT9516
120mm ²	10mm	0.06kg	FCT12010
120mm ²	12mm	0.06kg	FCT12012
120mm ²	14mm	0.06kg	FCT12014
120mm ²	16mm	0.06kg	FCT12016
150mm ²	10mm	0.09kg	FCT15010
150mm ²	12mm	0.09kg	FCT15012
150mm ²	14mm	0.09kg	FCT15014
150mm ²	16mm	0.09kg	FCT15016
185mm ²	12mm	0.11kg	FCT18512
185mm ²	14mm	0.11kg	FCT18514
185mm ²	16mm	0.11kg	FCT18516
240mm ²	12mm	0.14kg	FCT24012
240mm ²	14mm	0.14kg	FCT24014
240mm ²	16mm	0.14kg	FCT24016
300mm ²	12mm	0.17kg	FCT30012
300mm ²	14mm	0.17kg	FCT30014
300mm ²	16mm	0.17kg	FCT30016
400mm ²	12mm	0.21kg	FCT40012
400mm ²	14mm	0.21kg	FCT40014
400mm ²	16mm	0.21kg	FCT40016